

DADI ESAGONALI

TIPO MEDIO

ISO

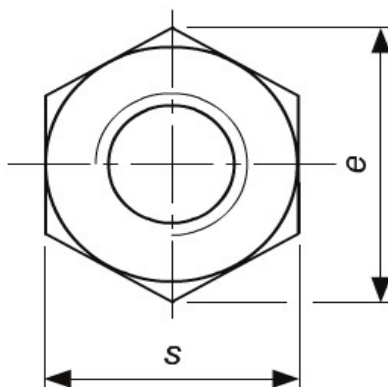
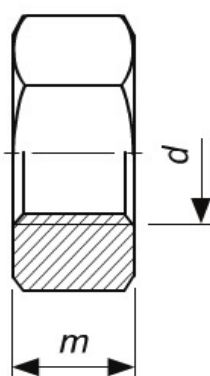
UNI

DIN

4032

5588

934



Materiale : **Acciaio**
 Classe : **8 (6S)**
 Filettatura : **passo GROSSO**



Pesi per 1.000 Pz.

Per viti	passo	s	m	e
M 2	0,40	4,0	1,2	4,38
M 2,5	0,45	5,0	2,0	5,45
M 3	0,50	5,5	2,4	6,01
M 4	0,70	7,0	3,2	7,66
M 5	0,80	8,0	4,0	8,79
M 6	1,00	10,0	5,0	11,05
M 7	1,00	11,0	5,5	12,12
M 8	1,25	13,0	6,5	14,38
M 10	1,50	17,0	8,0	18,90
M 12	1,78	19,0	10,0	21,10
M 14	2,00	22,0	11,0	24,49
M 16	2,00	24,0	13,0	26,75
M 18	2,50	27,0	15,0	29,56
M 20	2,50	30,0	16,0	32,95
M 22	2,50	32,0	18,0	35,03
M 24	3,00	36,0	19,0	39,55
M 27	3,00	41,0	22,0	45,20
M 30	3,50	46,0	24,0	50,85
M 33	3,50	50,0	26,0	55,37
M 36	4,00	55,0	29,0	60,79
M 39	4,00	60,0	31,0	66,44
M 42	4,50	65,0	34,0	72,09
M 45	4,50	70,0	36,0	76,95
M 48	5,00	75,0	38,0	82,60
M 52	5,00	80,0	42,0	88,25
M 56	5,50	85,0	45,0	93,56
M 60	5,50	90,0	48,0	99,21
M 64	6,00	95,0	51	104,86
M 68	6,00	100,0	54	11,51
M 72	6,00	105,0	58	116,16
M 76	6,00	110,0	61	121,81
M 80	6,00	115,0	64	127,46

Peso
0,14
0,28
0,38
0,81
1,23
2,50
3,12
5,20
11,60
17,30
25,00
33,30
49,40
64,40
79,00
110,00
165,00
223,00
288,00
393,00
502,00
652,00
800,00
977,00
1220,00
1420,00
1690,00
1980,00
2300,00
2670,00
3040,00
3440,00