

DADI ESAGONALE

TIPO ALTO

ISO

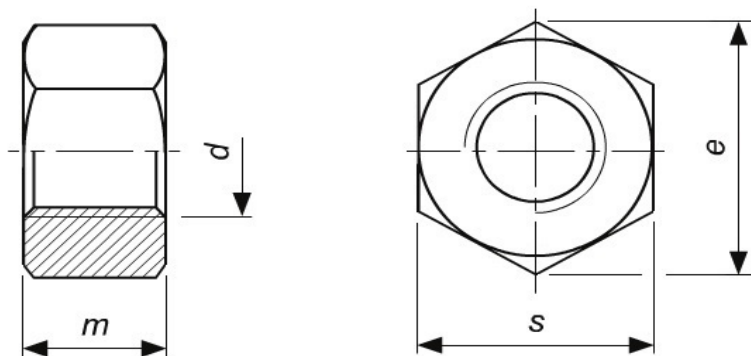
8674

UNI

5587

DIN

-



Materiale : **Acciaio**

Classe : **10 (8.8)**

Filettatura : **passo FINE**



Pesi per 1.000 Pz.

Per viti	passo	s	m	e	Peso
M 8	1,00	13,0	8	14,38	6,39
M 10	1,00	17,0	10	18,90	14,20
M 10	1,25	17,0	12	21,10	14,20
M 12	1,25	19,0	12	21,10	19,80
M 12	1,50	22,0	14	24,49	19,80
M 14	1,50	24,0	14	24,49	30,80
M 16	1,50	24,0	16	26,75	39,60
M 18	1,50	27,0	18	29,56	55,90
M 20	1,50	30,0	20	32,95	76,20
M 22	1,50	32,0	22	35,03	91,40
M 24	2,00	36,0	24	39,55	133,00
M 27	2,00	41,0	27	45,20	195,00
M 30	2,00	46,0	30	50,85	274,00
M 33	2,00	50,0	33	55,37	350,00
M 36	3,00	55,0	36	60,79	470,00
M 39	3,00	60,0	39	66,44	605,00
M 42	3,00	65,0	42	72,09	770,00
M 45	3,00	70,0	45	76,95	960,00