

DADI ESAGONALE

TIPO MEDIO

ISO

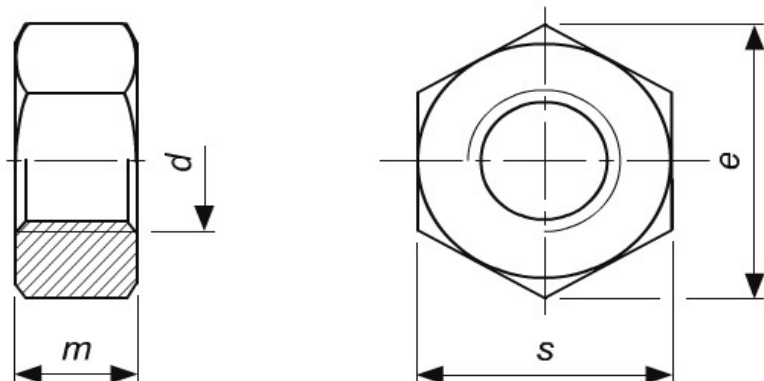
UNI

DIN

4032

5588

934



Materiale : **Acciaio**

Classe : **8 (6S)**

Filettatura : **passo FINE**



Pesi per 1.000 Pz.

Per viti	passo	s	m	e	Peso
M 8	1,00	13,0	7	14,38	5,30
M 10	1,00	17,0	8,0	18,90	11,40
M 10	1,25	17,0	8,0	21,10	11,40
M 12	1,25	19,0	10,0	21,10	17,00
M 12	1,50	22,0	10,0	24,49	17,00
M 14	1,50	24,0	11,0	24,49	24,50
M 16	1,50	24,0	13,0	26,75	32,60
M 18	1,50	27,0	15,0	29,56	47,20
M 20	1,50	30,0	16,0	32,95	62,30
M 22	1,50	32,0	18,0	35,03	79,00
M 24	2,00	36,0	19,0	39,55	106,00
M 27	2,00	41,0	22,0	45,20	161,00
M 30	2,00	46,0	24,0	50,85	221,00
M 33	2,00	50,0	26,0	55,37	279,00
M 36	3,00	55,0	29,0	60,79	387,00
M 39	3,00	60,0	31,0	66,44	492,00
M 42	3,00	65,0	34,0	72,09	660,00
M 45	3,00	70,0	36,0	76,95	810,00
M 48	3,00	75,0	38,0	82,60	980,00
M 52	3,00	80,0	42,0	88,25	1230,00
M 56	4,00	85,0	45,0	93,56	1430,00
M 60	4,00	90,0	48,0	99,21	1700,00