

DADI ESAGONALE

TIPO MEDIO

ISO

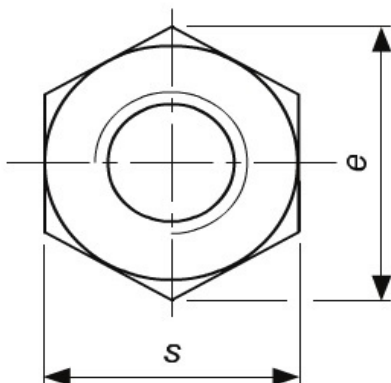
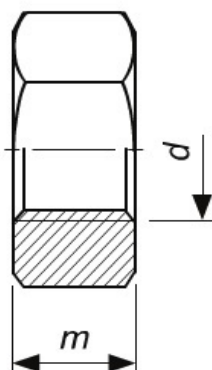
4032

UNI

5588

DIN

934



Materiale : **Acciaio**

Classe : **10 (8.8)**

Filettatura : **passo FINE**



Pesi per 1.000 Pz.

Per viti	passo	s	m	e	Peso
M 8	1,00	13,0	7	14,38	5,30
M 10	1,00	17,0	8	18,90	11,40
M 10	1,25	17,0	8	21,10	11,40
M 12	1,25	19,0	10	21,10	17,00
M 12	1,50	22,0	10	24,49	17,00
M 14	1,50	24,0	11	24,49	24,50
M 16	1,50	24,0	13	26,75	32,60
M 18	1,50	27,0	15	29,56	47,20
M 20	1,50	30,0	16	32,95	62,30
M 22	1,50	32,0	18	35,03	79,00
M 24	2,00	36,0	19	39,55	106,00
M 27	2,00	41,0	22	45,20	161,00
M 30	2,00	46,0	24	50,85	221,00
M 33	2,00	50,0	26	55,37	279,00
M 36	3,00	55,0	29	60,79	387,00
M 39	3,00	60,0	31	66,44	492,00
M 42	3,00	65,0	34	72,09	660,00
M 45	3,00	70,0	36	76,95	810,00
M 48	3,00	75,0	38	82,60	980,00
M 52	3,00	80,0	42	88,25	1230,00
M 56	4,00	85,0	45	93,56	1430,00
M 60	4,00	90,0	48	99,21	1700,00