

# DADI ESAGONALI

## TIPO MEDIO

ISO

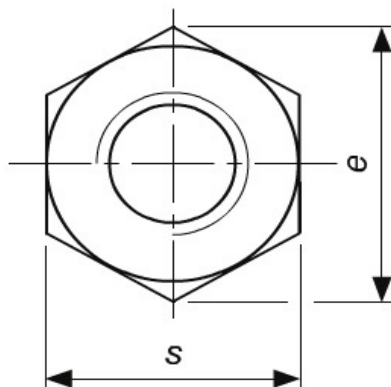
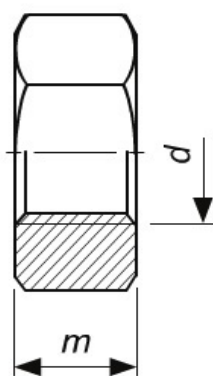
UNI

DIN

4032

5588

934



Materiale : **Acciaio**

Classe : **10 ( 8.8 )**

Filettatura : **passo GROSSO**



Pesi per 1.000 Pz.

Per viti	passo	s	m	e
M 5	0,80	8,0	4	8,79
M 6	1,00	10,0	5	11,05
M 7	1,00	11,0	6	12,12
M 8	1,25	13,0	7	14,38
M 10	1,50	17,0	8	18,90
M 12	1,78	19,0	10	21,10
M 14	2,00	22,0	11	24,49
M 16	2,00	24,0	13	26,75
M 18	2,50	27,0	15	29,56
M 20	2,50	30,0	16	32,95
M 22	2,50	32,0	18	35,03
M 24	3,00	36,0	19	39,55
M 27	3,00	41,0	22	45,20
M 30	3,50	46,0	24	50,85
M 33	3,50	50,0	26	55,37
M 36	4,00	55,0	29	60,79
M 39	4,00	60,0	31	66,44
M 42	4,50	65,0	34	72,09
M 45	4,50	70,0	36	76,95
M 48	5,00	75,0	38	82,60
M 52	5,00	80,0	42	88,25
M 56	5,50	85,0	45	93,56
M 60	5,50	90,0	48	99,21

Peso
1,23
2,50
3,12
5,20
11,60
17,30
25,00
33,30
49,40
64,40
79,00
110,00
165,00
223,00
288,00
393,00
502,00
652,00
800,00
977,00
1220,00
1420,00
1690,00