

DADI ESAGONALI

TIPO BASSO

ISO

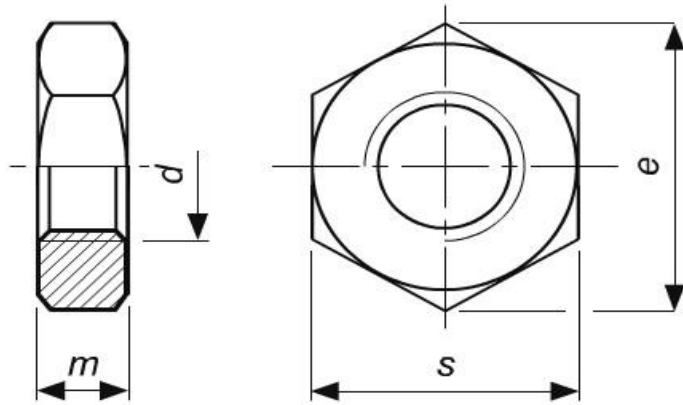
UNI

DIN

4035

5589

936



Materiale : **OTTONE**

Classe : **Cu 63 - Zn 37**

Filettatura : **passo GROSSO**



Pesi per 1.000 Pz.

Per viti	passo	s	m	e
M 2	0,40	4,0	1,3	4,38
M 3	0,50	5,5	2,0	6,01
M 4	0,70	7,0	2,8	7,66
M 5	0,80	8,0	3,5	8,79
M 6	1,00	10,0	4,0	11,05
M 8	1,25	13,0	5,0	14,38
M 10	1,50	17,0	6,0	18,90
M 12	1,78	19,0	7,0	21,10
M 14	2,00	22,0	8,0	24,49
M 16	2,00	24,0	8,0	26,75
M 18	2,50	27,0	9,0	29,56
M 20	2,50	30,0	9,0	32,95
M 22	2,50	32,0	10,0	35,03
M 24	3,00	36,0	10,0	39,55
M 27	3,00	41,0	12,0	45,20
M 30	3,50	46,0	12,0	50,85

Peso
0,14
0,38
0,81
1,23
2,50
5,20
11,60
17,30
25,00
33,30
49,40
64,40
79,00
110,00
165,00
223,00