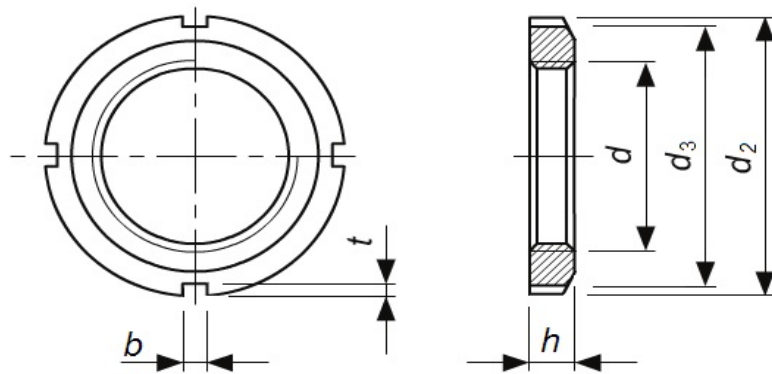


GHIERE**KM****ISO****2982****UNI****-****DIN****981**

Materiale : **Acciaio**
 Classe : **R > 350 N/mm²**
 Filettatura : **passo FINE**

| KM | d | passo | d2 | d3 | h | b | t |
|----|----|-------|-----|-------|----|----|-----|
| 0 | 10 | 0,75 | 18 | 13,5 | 4 | 3 | 2,0 |
| 1 | 12 | 1,00 | 22 | 17,0 | 4 | 3 | 2,0 |
| 2 | 15 | 1,00 | 25 | 21,0 | 5 | 4 | 2,0 |
| 3 | 17 | 1,00 | 28 | 24,0 | 5 | 4 | 2,0 |
| 4 | 20 | 1,00 | 32 | 26,0 | 6 | 4 | 2,0 |
| 5 | 25 | 1,50 | 38 | 32,0 | 7 | 5 | 2,0 |
| 6 | 30 | 1,50 | 45 | 38,0 | 7 | 5 | 2,0 |
| 7 | 35 | 1,50 | 52 | 44,0 | 8 | 5 | 2,0 |
| 8 | 40 | 1,50 | 58 | 50,0 | 9 | 6 | 2,5 |
| 9 | 45 | 1,50 | 65 | 56,0 | 10 | 6 | 2,5 |
| 10 | 50 | 1,50 | 70 | 61,0 | 11 | 6 | 2,5 |
| 11 | 55 | 2,00 | 75 | 67,0 | 11 | 7 | 3,0 |
| 12 | 60 | 2,00 | 80 | 73,0 | 11 | 7 | 3,0 |
| 13 | 65 | 2,00 | 85 | 79,0 | 12 | 7 | 3,0 |
| 14 | 70 | 2,00 | 92 | 85,0 | 12 | 8 | 4,0 |
| 15 | 75 | 2,00 | 98 | 90,0 | 13 | 8 | 4,0 |
| 16 | 80 | 2,00 | 105 | 95,0 | 15 | 8 | 4,0 |
| 17 | 85 | 2,00 | 110 | 102,0 | 16 | 8 | 4,0 |
| 18 | 90 | 2,00 | 120 | 108,0 | 16 | 10 | 4,0 |

| KM | d | passo | d2 | d3 | h | b | t |
|----|-----|-------|-----|-----|----|----|---|
| 19 | 95 | 2 | 125 | 113 | 17 | 10 | 4 |
| 20 | 100 | 2 | 130 | 120 | 18 | 10 | 4 |
| 21 | 105 | 2 | 140 | 126 | 18 | 12 | 5 |
| 22 | 110 | 2 | 145 | 133 | 19 | 12 | 5 |
| 23 | 115 | 2 | 150 | 137 | 19 | 12 | 5 |
| 24 | 120 | 2 | 155 | 138 | 20 | 12 | 5 |
| 25 | 125 | 2 | 160 | 148 | 21 | 12 | 5 |
| 26 | 130 | 2 | 165 | 149 | 21 | 12 | 5 |
| 27 | 135 | 2 | 175 | 160 | 22 | 14 | 5 |
| 28 | 140 | 2 | 180 | 160 | 22 | 14 | 5 |
| 29 | 145 | 2 | 190 | 171 | 24 | 14 | 6 |
| 30 | 150 | 2 | 195 | 171 | 24 | 14 | 6 |
| 31 | 155 | 3 | 200 | 182 | 25 | 16 | 7 |
| 32 | 160 | 3 | 210 | 182 | 25 | 16 | 7 |
| 33 | 165 | 3 | 210 | 193 | 26 | 16 | 7 |
| 34 | 170 | 3 | 220 | 193 | 26 | 16 | 7 |
| 36 | 180 | 3 | 230 | 203 | 27 | 18 | 8 |
| 38 | 190 | 3 | 240 | 241 | 28 | 18 | 8 |
| 40 | 200 | 3 | 250 | 226 | 29 | 18 | 8 |